

# Allied

## Spring & Suspension

June/July 2026 Promotion



**PLUG  
AND  
GO**

5% OFF ON  
QUANTITY OF 12  
\*CAN MIX AND MATCH

81-3012

PLUG AND GO  
3 IN 1 12 FT

**\$119**

81-3015

PLUG AND GO  
3 IN 1 15 FT

**\$125**



**\$108 ANY  
COLOR**

AIR BRAKE TUBING  
1/2" X 100FT-BULK  
81-1012-100B  
81-1012-100BL  
81-1012-100R



**\$95  
ANY COLOR**

AIR BRAKE TUBING  
3/8" X 100FT-BULK  
81-1038-100B  
81-1038-100BL  
81-1038-100R



**\$52  
ANY COLOR**

AIR BRAKE TUBING  
1/4" X 100FT-BULK  
81-1014-100B  
81-1014-100BL  
81-1014-100R

**Dayton  
parts**  
DRIVEN BY DORMAN



**HD1M 112LB DRUMS (CROSS REF#'S  
3600AX,66864B) INDIVIDUAL  
\$132.50 EACH OR PALLET \$125\*  
EACH \*WHEN PURCHASED IN SKID  
QUANTITY OF 16**

**HD1MV 105LB VALUE DRUMS (CROSS  
REF#'S 3922X,56864B) INDIVIDUAL  
\$119 EACH OR PALLET \$112\* EACH  
\*WHEN PURCHASED IN SKID  
QUANTITY OF 20**



83-3350-3

HS BUTT, POLY, 16-14 GA PK 300, JAR

**\$99  
each**



83-3550-3

HS BUTT, POLY, 12-10 GA PK 200, JAR



83-3150-3

HS BUTT, POLY 22-18 GA PK 300, JAR



82-1019  
HEAVY DUTY 7 POLE PLUG  
**\$9.99**



82-1040  
TRAILER KIT, 4 POLE W/  
PLUG & SOCKET **\$9.99**



82-1002  
7 POLE SOCKET W/  
ENCLOSED TERMINALS  
**\$9.99**



81-0012  
12' COILED AIR SET  
W/6" LEAD  
**\$47.99**

81-0015  
15' COILED AIR SET  
W/12" LEAD  
**\$54.99**

38 DEG GLADHANDS



81-0001-38R  
81-0001-38B  
**\$9.99**

GLADHANDS



81-0001-R  
81-0001-B  
**\$4.99**



ULTRA-SEAL  
CORROSION RESISTANT  
SEALANT, 4 OZ. TUBE  
**\$4.99 EACH**  
10% OFF CASE QTY OF 12

Prices listed are based on current manufacturers' pricing and may be withdrawn before expiration date listed.

**ELMIRA (607) 733-9642 SYRACUSE (315) 437-9967**

# SHOP SUPPLIES



**580.25201RL**  
**NEW PIG UNIVERSAL**  
**ABSORBENT 15IN X**  
**50FT**  
**\$19.99**



**CRCC05089 CRC**  
**Brakleen Brake**  
**Parts Cleaner Non-**  
**Flam 19 fl. oz.**  
**\$6.99**  
**TAKE 10% OFF ON CASE**  
**QUANTITY**



**LA12**  
**LUBE IT ALL**  
**11OZ**  
**TAKE 10% OFF ON CASE**  
**QUANTITY**  
**\$9.99**



**TW40-CHR**  
**Tub O' Towels Heavy**  
**Duty Chrome Wipes,**  
**40-Count**  
**\$7.99**

**AFF3909**  
**47" XL Super**  
**Duty Creeper**  
**\$115.00**



**RE12**  
**FREE ALL**  
**PENETRANT 11 OZ**  
**\$9.99**  
**TAKE 10% OFF ON CASE**  
**QUANTITY**



**TW40-CHR**  
**Tub O' Towels**  
**Carpet and**  
**Upholstery Cleaning**  
**Wipes, 40-Count**  
**\$7.99**



**5620SD**  
**20-Ton Super**  
**Duty Air-Assist**  
**Bottle Jack**  
**\$399.96**



**FLUIAS11**  
**FLUID FILM RUST &**  
**CORROSION**  
**PROTECTOR -**  
**11.75OZ**  
**TAKE 10% OFF ON CASE**  
**QUANTITY**  
**\$11.97**



**SC16**  
**Tub O' Towels**  
**Stainless Steel**  
**Cleaner & Polish**  
**\$9.99**

**NOW IN STOCK**



**6 TON, 8 TON, 12**  
**TON, 12 TON**  
**LoPro**  
**Aff Super Duty Bottle**  
**Jacks Now In Stock**



**FDRLTW90**  
**Tub O' Towels Heavy**  
**Duty Cleaning**  
**Wipes, 90 Count -**  
**2.75 lbs.**  
**\$15.99**



**Q WIK TIE™**  
**Tie Rod Assembly**

**QT967SS**  
**OR**  
**QT108SB**  
**\$310.99**

**TIGER TOOL**  
**IN STOCK**  
**AT GREAT PRICES!**

**PREMIUM QUALITY** **BUILT TO LAST** **PROFESSIONAL GRADE** **GREAT PRICES** **IN STOCK & READY TO SHIP**



# June/July 2026 Promotion Light and Medium Duty Trailer



## BRAKE DRUM KITS

10IN BRAKE DRUM KIT FOR 3500 LB TRAILER  
AXLE, 5-LUG

**12-545-138**

**\$92.99**

12IN BRAKE DRUM KIT FOR 5200 LB TRAILER  
AXLE WITH 2-1/8IN SEAL, 6 X 1/2IN STUDS

**12-655-341**

**\$99.99**

12IN BRAKE DRUM KIT FOR 5200 LB TRAILER  
AXLE WITH 2-1/4IN SEAL, 6 X 1/2IN STUDS

**12-655-342**

**\$104.99**

12IN BRAKE DRUM KIT FOR 6000 LB TRAILER  
AXLE WITH 2-1/4IN SEAL, 6 X 9/16IN STUDS

**12-655-916**

**\$109.99**

12IN BRAKE DRUM KIT FOR 7000 LB TRAILER  
AXLE WITH 2-1/4IN SEAL, 8 X 1/2IN STUDS

**12-865-342**

**\$109.99**

12IN BRAKE DRUM W/ RACES FOR 5.2K-7K  
TRAILER AXLE WITH 8 X 9/16IN STUDS

**150.821913**

**\$106.99**



## BRAKE ASSEMBLIES

ELECTRIC TRAILER BRAKE ASSEMBLY 7IN X  
1-1/4IN MANUAL ADJUSTING

**BRK-EB07RH**

**BRK-EB07LH**

**\$43.99**

ELECTRIC TRAILER BRAKE ASSEMBLY 10IN X  
2-1/4IN MANUAL ADJUSTING

**BRK-EB10RH**

**BRK-EB10LH**

**\$49.99**

ELECTRIC TRAILER BRAKE ASSEMBLY 12IN X  
2IN SELF ADJUSTING

**BRK-EB12RH-SA**

**BRK-EB12LH-SA**

**\$75.99**

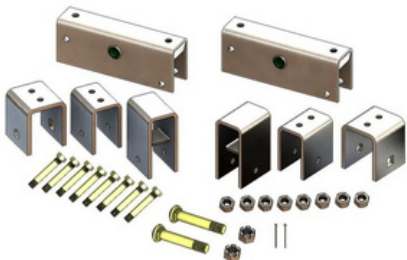
## WIDE VARIETY OF SPRING & SUSPENSION PARTS IN STOCK



### HK093216

TANDEM AXLE  
ATTACHING PARTS  
KIT, 2" WIDE SLIPPER  
SPRING (UP TO 8,000  
LBS CAPACITY  
AXLES)

**\$207.99**



### HK093236

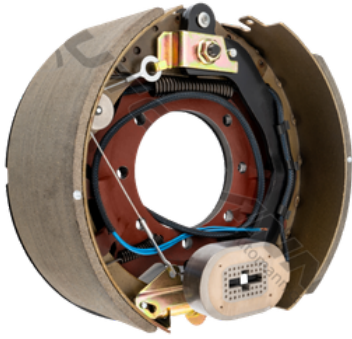
TANDEM AXLE  
ATTACHING PARTS  
KIT, 1 3/4" WIDE  
DOUBLE EYE SPRING

**\$117.99**



Prices listed are based on current manufacturers' pricing and may be withdrawn before expiration date listed.

# 8K-15K Electric Brake Assemblies, Drums, and Hubs



**160.23434**

**Electric Brake Assy 12.25x3.375in LH 8K**

**\$279.99**

**160.23435**

**Electric Brake Assy 12.25x3.375in RH 8K**

**\$279.99**

**160.23528**

**Self-Adj Brake Asy 12.25x3.50in LH 9-12K**

**\$274.99**

**160.23529**

**Self-Adj Brake Asy 12.25x3.50in RH 9-12K**

**\$274.99**

**160.23443**

**Electric Brake Assy 12.25x5in RH 12K**

**\$291.99**

**160.23442**

**Electric Brake Assy 12.25x5in LH 12K**

**\$291.99**

**160.23447**

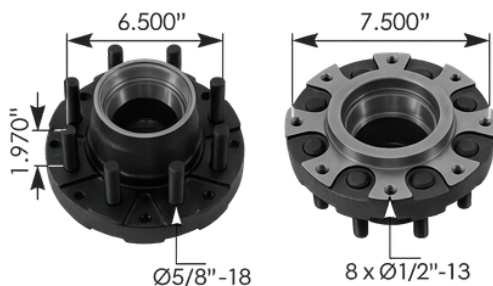
**Electric Brake Assy 12.25x5in RH 15K**

**\$292.99**

**160.23446**

**Electric Brake Assy 12.25x5in LH 15K**

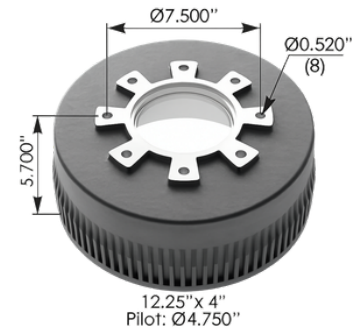
**\$292.99**



**Offering a Variety of 8K-15K Hubs**

*Please reach out with your hub specifications or OEM numbers for pricing and availability.*

Prices listed are based on current manufacturers' pricing and may be withdrawn before expiration date listed.



**151.24001ABS**

**Brake Drum 10K with ABS Tone Ring 12.250in x 4.000in Brake**

**\$232.99**

**151.24001**

**Brake Drum 10K Non ABS 12.250in x 4.000in Brakes**

**\$213.99**

**151.25001ABS**

**Brake Drum 12-15K with ABS Tone Ring 12.250in x 5.000in Brake**

**\$265.99**

**151.25001**

**Brake Drum 12-15K Non ABS 12.250in x 5.000in Brake**

**\$246.99**

## Trailer Jacks in Various Capacities

*Offering trailer jacks in a variety of capacities and configurations. Contact us with your application requirements for pricing and availability.*

